

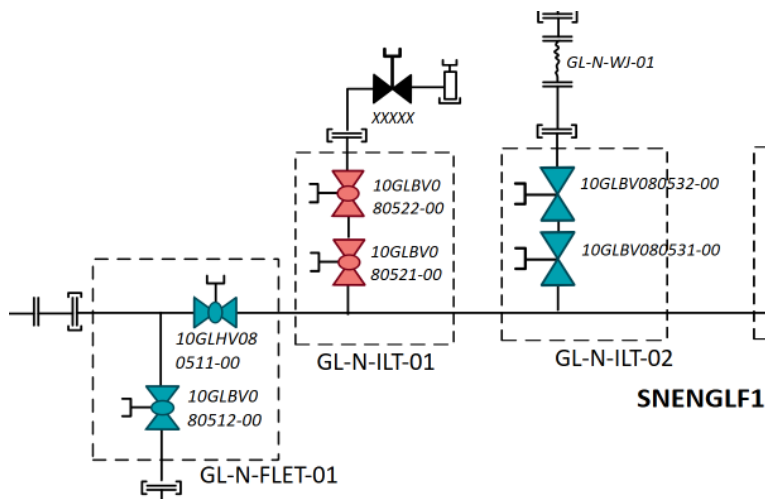
# Optimise subsea valve management with ValveTrack™

ValveTrack™ is a user-friendly subsea valve management application transforming the way operators, contractors, and service companies operate.

ValveTrack™ is a platform that simplifies the management of subsea valves by providing a single source of truth for valve operations data. It streamlines intervention workflows, reducing the risk of maloperation and excessive torque. ValveTrack™ also enables operators to receive real-time input data from intervention companies, ensuring quick and informed action. The platform's intuitive design contextualises all data, allowing operators to manage their valves more effectively.

## KEY BENEFITS

- Lower risk during simultaneous operations by providing all stakeholders with updated valve status.
- On-demand and easy access to valve information and operational history.
- Reduced engineering hours through optimised workflow for planning and execution of valve operations.
- Less time spent searching for documents, drawings, P&IDs, tooling interface, and historical valve status.
- Lower risk of incorrect valve operation by having quality data at your fingertips.



## KEY FEATURES

- Plan and execute valve operation in a consistent workflow using the valve operation planner tool.
- Interactive P&IDs for easy visual representation of the valve status.
- Contextualise additional information about the valve directly (documents, specifications) or to a specific valve operation (torque tool calibration certificates, ROV images).
- Access historical information about the valve through the digital logbook, resulting in safer and more efficient operations.
- Open APIs for data integration with digital twins and ERP systems.
- Track a valve's operational parameters, such as torque evolution over time, in interactive dashboards to trend and diagnose performance by valve type, size, location, supplier etc.

## WHY VALVETRACK™?

Managing subsea valves can be a time-consuming and complex process when done without a dedicated software platform. By ensuring that all stakeholders have the same valve status during simultaneous operations, a dedicated software platform can streamline the process, reduce the risk of errors, and enhance overall safety and efficiency.

Typically, valve status is tracked through separate logs and spreadsheets, making revision control difficult and leading to unclear ownership and approval chains. This can result in delays, increased costs, and safety hazards if valves are not managed properly.

Additionally, maloperation and excessive torquing of subsea valves can lead to operational issues, downtime, increased maintenance costs, and even safety hazards and environmental damage. Effective valve management is, therefore, critical in preventing these issues.

## PRODUCT DESCRIPTION

ValveTrack™ enables consistent storage of valve data. This makes it easy for anyone to access the correct information when needed. Documents can be linked to an external data source so engineers can access supporting documentation. ValveTrack™ also consists of a planning tool allowing an optimal workflow from planning to execution.

The engineers planning the operations and the offshore crew will be able to work on the same solution, which will significantly increase efficiency and data quality. All operations are logged digitally and consistently, allowing for comparison of valve operation over time. ValveTrack™ has open APIs, so that it can be integrated with digital twins, ERP systems etc.

## BUILT ON 4INSIGHT®

ValveTrack™ is built on 4insight®. 4insight® is a digital service providing key decision support to energy operators. The service enables domain experts to collect large amounts of data and create new insight based on machine learning and AI. Users can choose from a large selection of readily available applications or tailor made their own apps running on 4insight®.

The 4insight platform includes digital tools for: Asset Integrity, Drilling, Wind Energy, Data Analytics and Marine Operations.

[More product information](#) →

4Subsea is a leading provider of technology and services that help operators optimise energy production from subsea oil & gas fields and offshore wind farms. We combine domain expertise with data analytics and digital services to maximise lifetime of assets, reduce operational cost and optimise future projects through data-driven design.

The company was established in 2007 and clients include the major energy operators as well as the large suppliers of subsea equipment. 4Subsea is headquartered in Asker, Norway with additional offices in Bergen, Kristiansand, Stavanger, Rio de Janeiro, Kraków and Aberdeen. 4Subsea is a company in the Subsea 7 Group.

4Subsea - Share ideas, move forward

Contact +47 66 98 27 00 | contact@4subsea.com | www.4subsea.com